

# Support Bases

**Material:**

Base: Polyamide

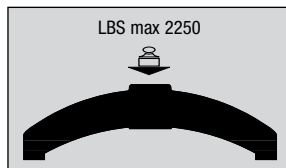
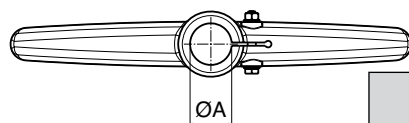
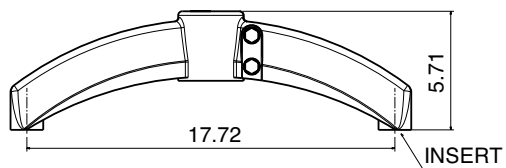
Screws and washers: Stainless steel

Inserts nuts: nickel plated brass

## Bipod



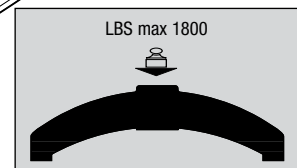
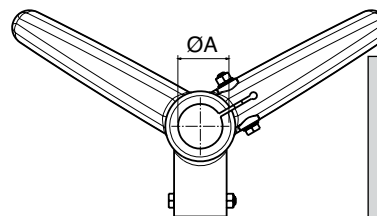
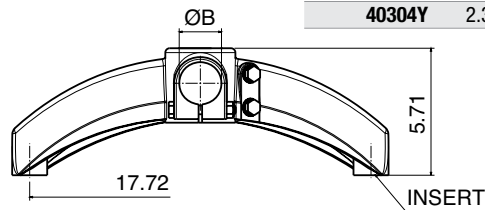
Part #	ØA	Insert
40101	1.9	M16
40105	2	M16
40102	2.375	M16
40101Y	1.9	5/8-11
40105Y	2	5/8-11
40102Y	2.375	5/8-11



## Bipod 120° with connector



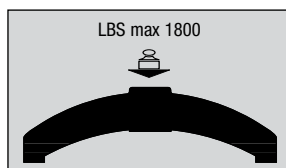
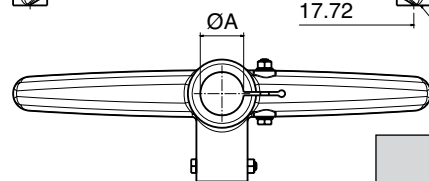
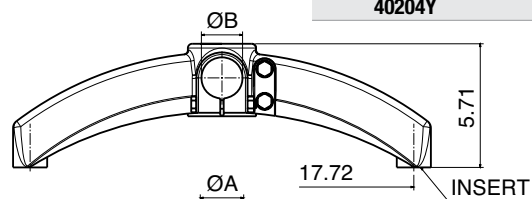
Part #	ØA	ØB	Insert
40301	1.9	1.9	M16
40305	2	1.9	M16
40302	2.375	1.9	M16
40303	1.9	1.66	M16
40306	2	1.66	M16
40304	2.375	1.66	M16
40301Y	1.9	1.9	5/8-11
40305Y	2	1.9	5/8-11
40302Y	2.375	1.9	5/8-11
40303Y	1.9	1.66	5/8-11
40306Y	2	1.66	5/8-11
40304Y	2.375	1.66	5/8-11



## Bipod 180° with connector



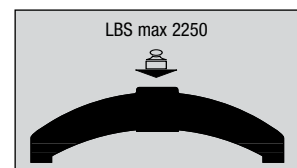
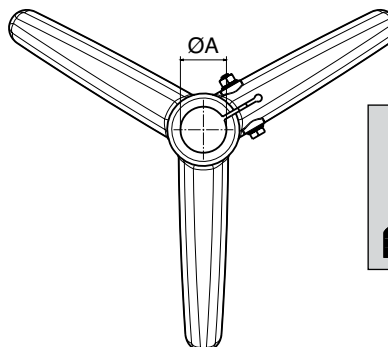
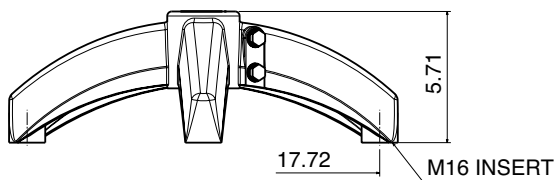
Part #	ØA	ØB	Insert
40201	1.9	1.9	M16
40205	2	1.9	M16
40202	1.9	M16	
40203	1.66	M16	
40206	1.66	M16	
40204	1.66	M16	
40201Y	1.9	5/8-11	
40205Y	1.9	5/8-11	
40202Y	1.9	5/8-11	
40203Y	1.66	5/8-11	
40206Y	1.66	5/8-11	
40204Y	1.66	5/8-11	



## Tripod



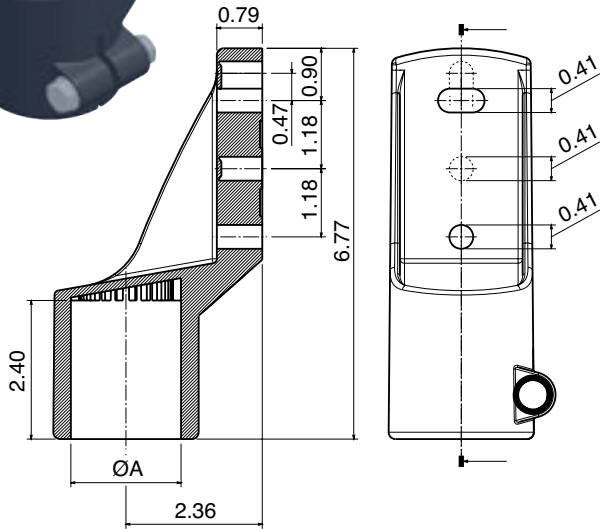
Part #	ØA	Insert
40401	1.9	M16
40405	2	M16
40402	2.375	M16
40401Y	1.9	5/8-11
40405Y	2	5/8-11
40402Y	2.375	5/8-11





Side mounting top bracket

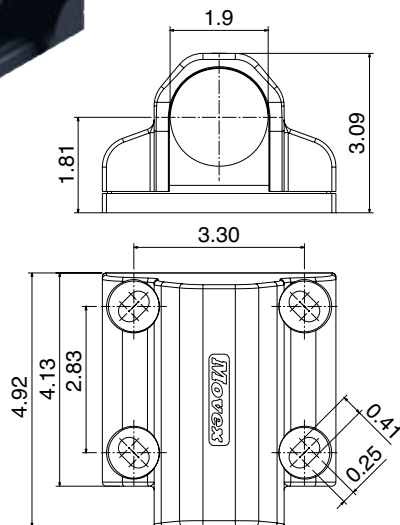
Part #	ØA
40701	1.9
40702	2



Side mounting top bracket



Part #
40801



**Material:**

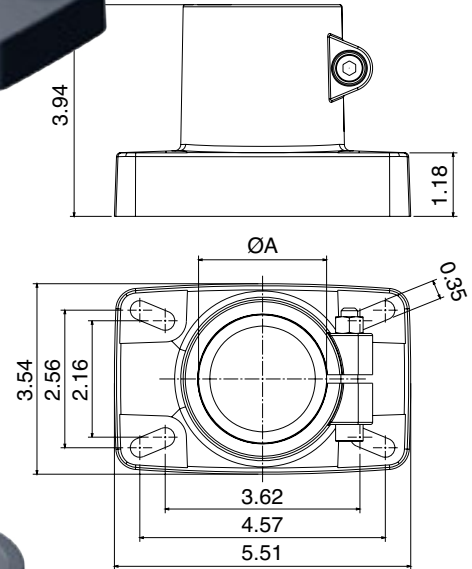
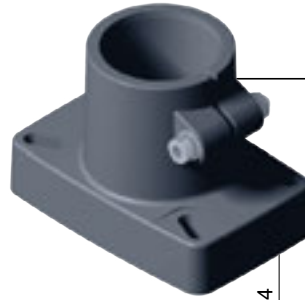
Side bracket: Polyamide

Screws and washers: Stainless steel

Nuts: nickel plated brass

Support head

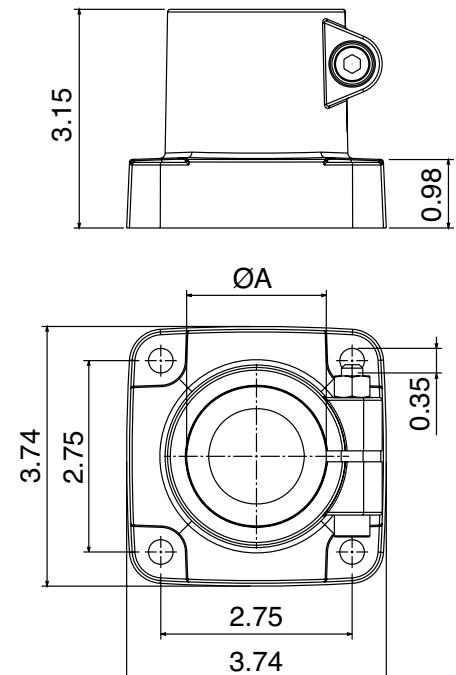
Part #	ØA
41001	1.9
41002	2.375



Support head



Part #	Part #	ØA
41101	1.9	
41102	2	



# Connecting Joints

**Material:**

Joint: Polyamide

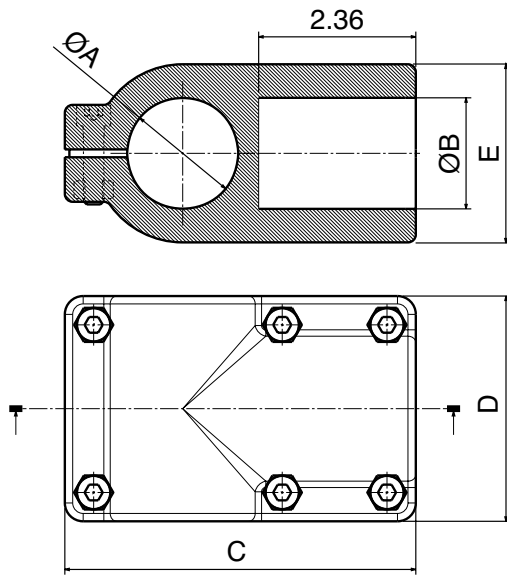
Screws and washers: Stainless steel

Nuts: nickel plated brass

## Connecting joint

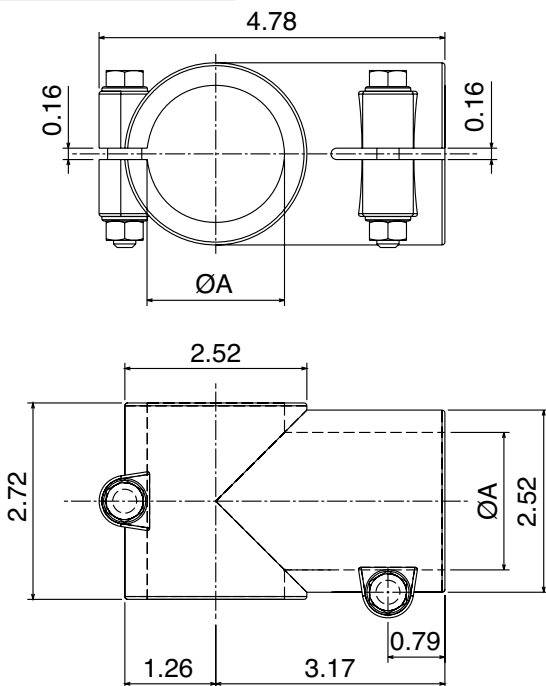


Part #	ØA	ØB	C	D	E
41301	1.9	1.9	5.27	3.38	2.68
41302	2.375	1.9	5.75	3.86	3.15
41303	2.375	2.375	5.75	3.86	3.15



## Connecting joint

Part #.	ØA
41701	1.9
41702	2



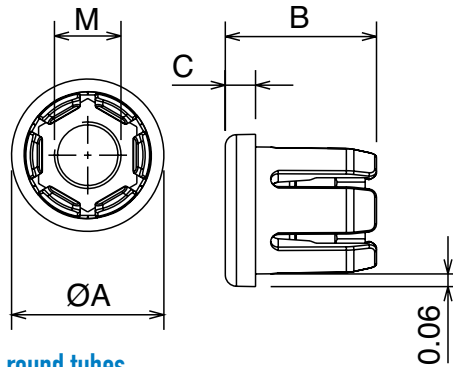
**Material:**

Plug: Polyamide

Inserts: PA or nickel plated brass

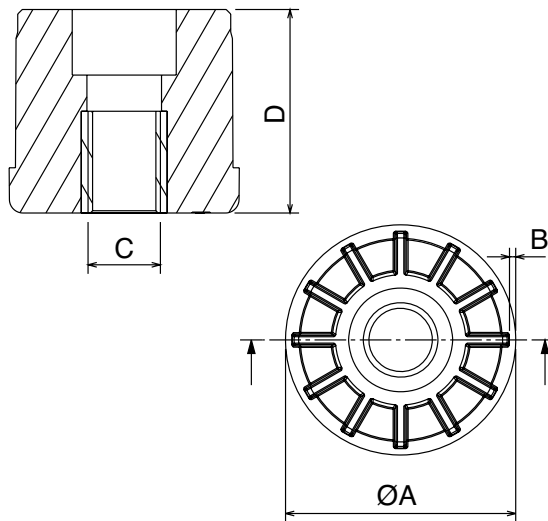
## Expansions plugs

Part #		ØA	B	C	M
Brass Bush	PA Bush				
41903	41913Y	1.5	1.575	0.2	5/16-18
41904	41914Y	1.5	1.575	0.2	3/8-16
41905	41915Y	1.66	1.575	0.2	5/16-18
41906	41916Y	1.66	1.575	0.2	3/8-16



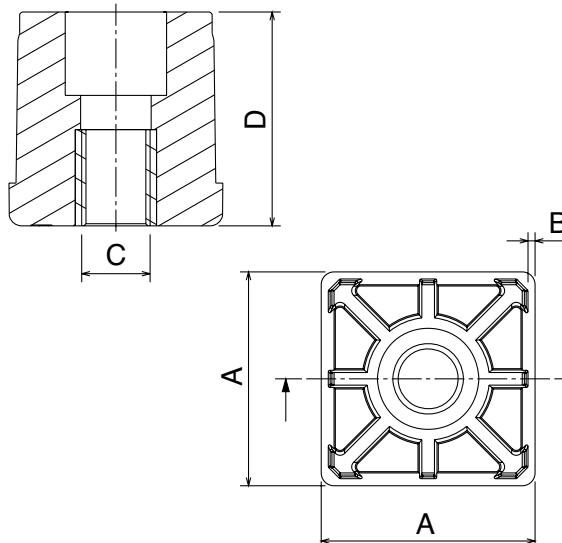
### Threaded bushings for round tubes

Part #	A	B	C
41523Y			3/8-16 1.57
41524Y	1.5	0.065	1/2-13 1.57
41526Y			5/8-11 1.57
41535Y			3/8-16 1.69
41536Y	1.66	0.065	1/2-13 1.69
41538Y			5/8-11 1.69
41550Y			3/8-16 1.89
41551Y		0.065	1/2-13 1.89
41501Y			5/8-11 1.89
41502Y	1.9		3/4-10 1.89
41558Y			3/8-16 1.89
41559Y		0.109	1/2-13 1.89
41561Y			5/8-11 1.89
41562Y			3/4-10 1.89
41566Y			3/8-16 1.97
41567Y	2	0.065	1/2-13 1.97
41569Y			5/8-11 1.97
41570Y			3/4-10 1.97
41505Y	2.38	0.08	5/8-11 2.16
41592Y		0.109	5/8-11 2.16



### Threaded bushings for square tubes

Part #	A	B	C
41601Y	1	0.065	3/8-16 1.18
41602Y			1/2-13 1.18
41611Y	1.18	0.065	3/8-16 1.30
41681Y			3/8-16 1.69
41682Y		0.065	1/2-13 1.69
41684Y			5/8-11 1.69
41685Y	1.5		3/4-10 1.69
41686Y			3/8-16 1.69
41687Y		0.12	1/2-13 1.69
41689Y			5/8-11 1.69
41690Y			3/4-10 1.69
41653Y			3/8-16 1.97
41654Y		0.065	1/2-13 1.97
41656Y			5/8-11 1.97
41657Y	2		3/4-10 1.97
41661Y			3/8-16 1.97
41662Y		0.109	1/2-13 1.97
41664Y			5/8-11 1.97
41665Y			3/4-10 1.97
41674Y	2.38	0.08	5/8-11 2.16



# Threaded bushings: SS

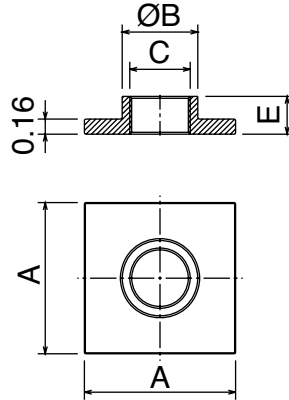
Material:

Plug: Stainless Steel

## Threaded bushings for square tube

Part #	A	C	ØB	E
42801Y	1.5	5/8-11	0.79	0.39
42802Y	1.5	3/4-10	0.9	0.43
42805Y	1.95	5/8-11	0.79	0.39
42806Y	1.95	3/4-10	0.9	0.43
42899Y	1.95	1-8	1.18	0.45
42807Y	2.38	5/8-11	0.79	0.39
42808Y	2.38	3/4-10	0.9	0.43

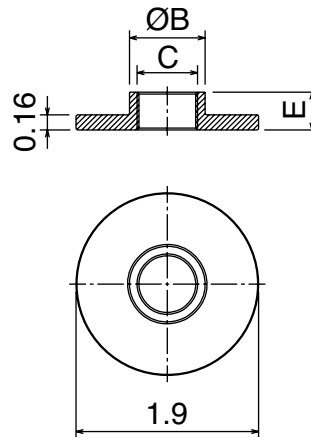
Stainless steel  
AISI 304



## Threaded bushings for round tube

Part #	C	ØB	E
42901Y	5/8-11	0.79	0.34
42902Y	3/4-10	0.9	0.43

Stainless steel  
AISI 304



## Threaded bushings for rectangular tube

Part #	C	ØB	E
43001Y	5/8-11	0.79	0.34
43002Y	3/4-10	0.9	0.43

Stainless steel  
AISI 304

