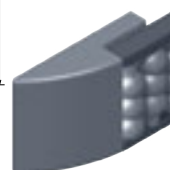
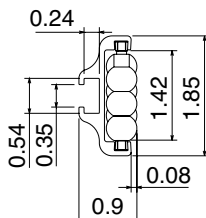
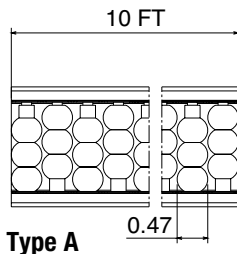
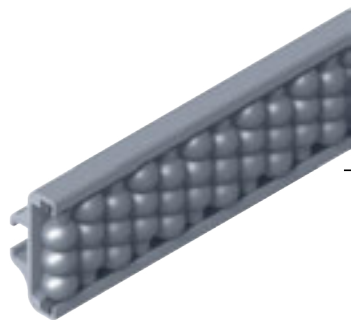


Roller Guides



Roller guides

Material:

Guide: anodized aluminum

Rollers: Acetal Resin

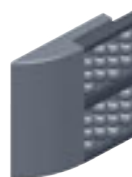
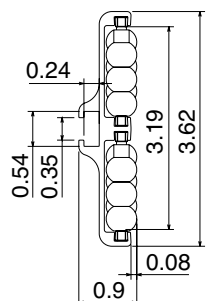
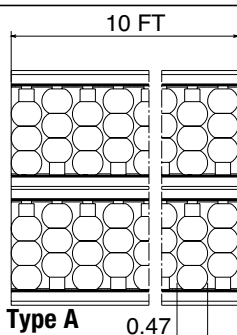
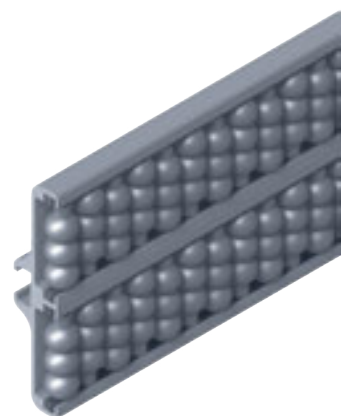
Screw: Stainless steel

Part #	Type
35802Y	A

Max fixing load M8 screw: 15 N/m

Shoe

Part #	36401
---------------	--------------



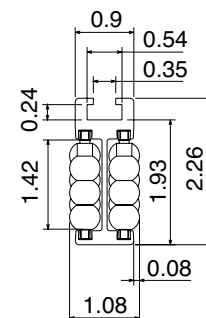
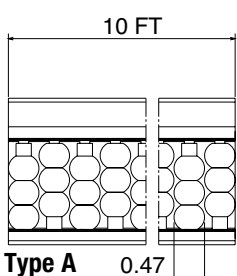
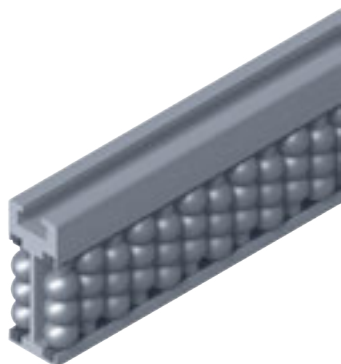
Roller guides

Part #	Type
35902Y	A

Max fixing load M8 screw: 15 N/m

Shoe

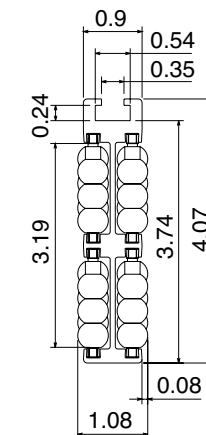
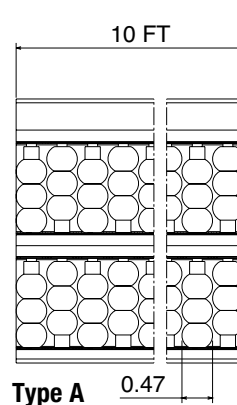
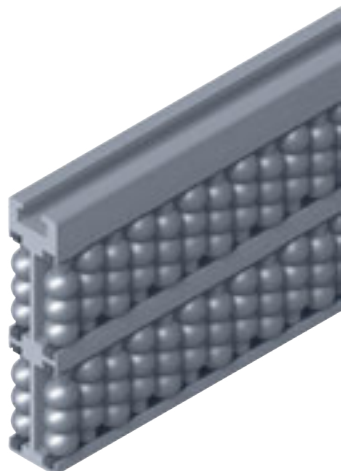
Part #	36501
---------------	--------------



Roller guides

Part #	Type
36002Y	A
36004Y	B

Max fixing load M8 screw: 15 N/m



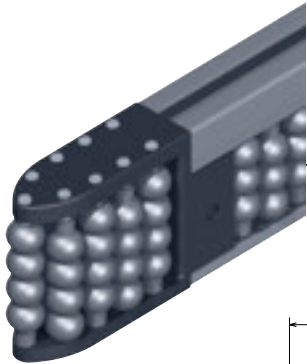
Roller guides

Part #	Type
36102Y	A
36104Y	B

Max fixing load M8 screw: 15 N/m

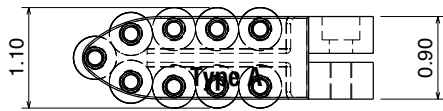
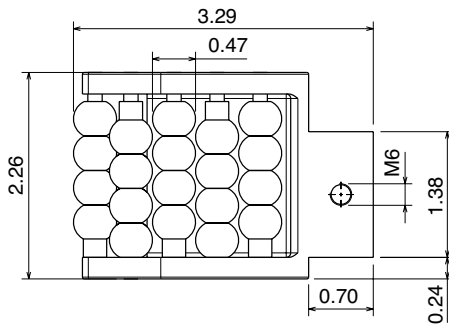
Shoe

Part #	36701
---------------	--------------



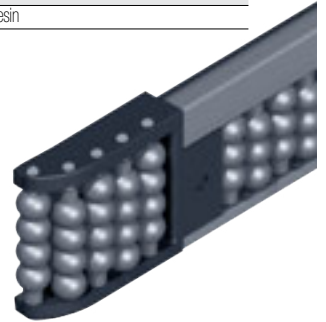
Central roller shoe

Part #	Type
36621	A
36622	B



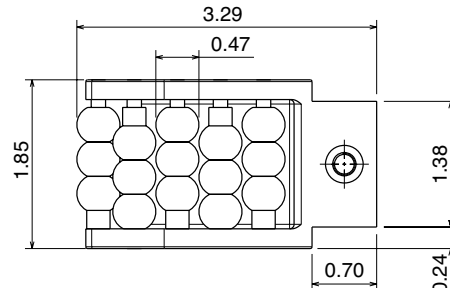
PATENT PENDING

Material:
Shoe: PE HD
Pins: SS
Rollers: PE or acetal resin

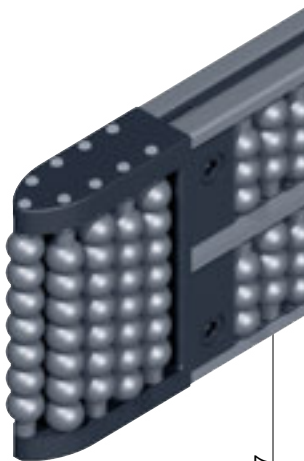


Side roller shoe

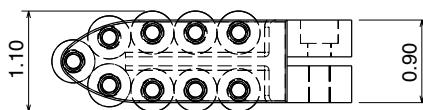
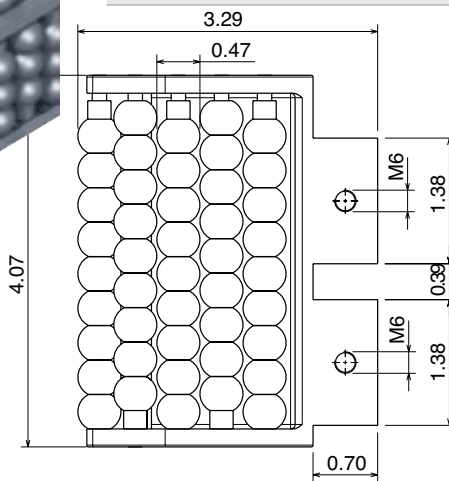
Part #	Type
36421	A
36422	B



PATENT PENDING



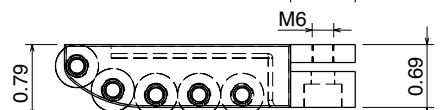
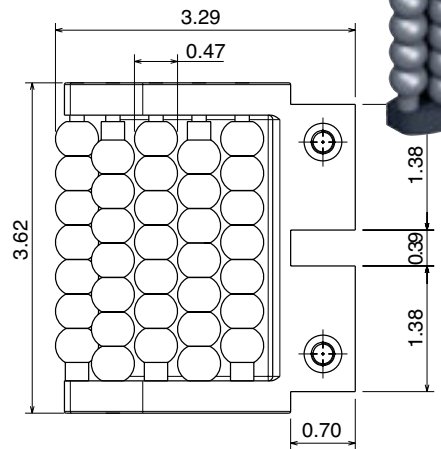
Part #	Type
36721	A
36722	B



Type A

PATENT PENDING

Part #	Type
36521	A
36522	B



Type A

PATENT PENDING

Roller Guides

Material:

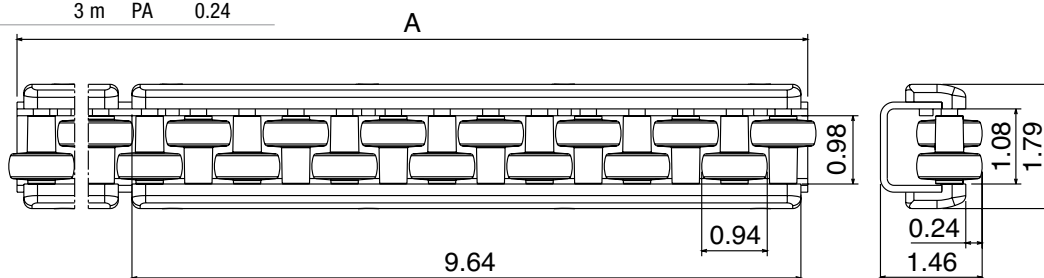
Metal Profile and screws: Stainless steel

Connection module: PA

Rollers: Acetal Resin

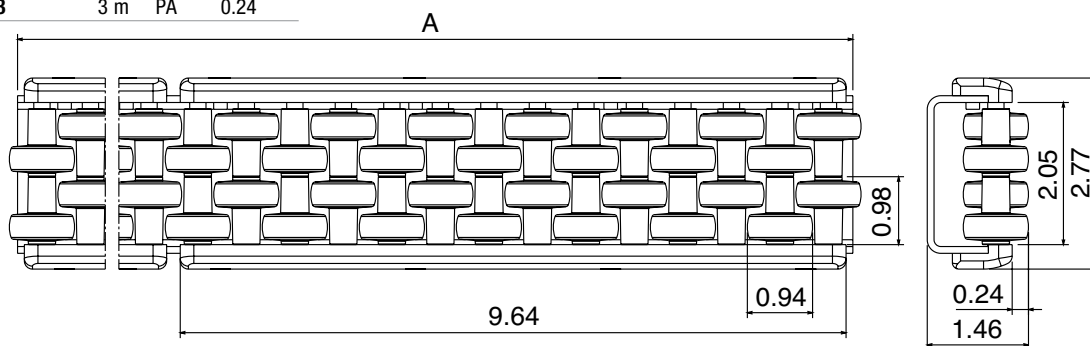
Accumulation roller guides

Part #	A	Pin	Pin DIA
35301	1 m	PA	0.24
35302	2 m	PA	0.24
35303	3 m	PA	0.24



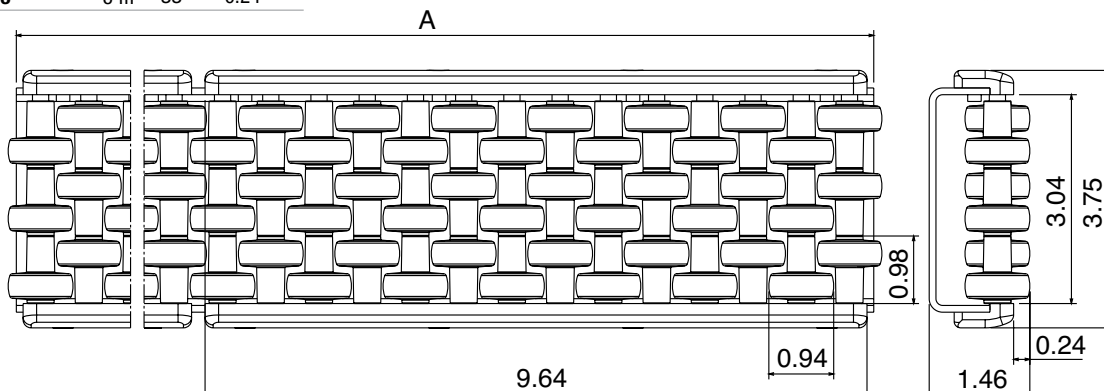
Accumulation roller guides

Part #	A	Pin	Pin DIA
35401	1 m	PA	0.24
35402	2 m	PA	0.24
35403	3 m	PA	0.24



Accumulation roller guides

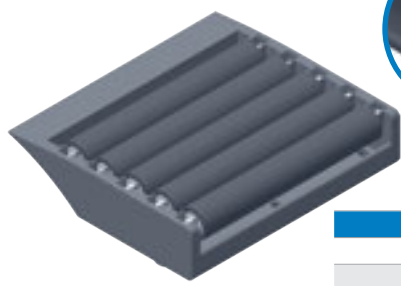
Part #	A	Pin	Pin DIA
35501	1 m	SS	0.24
35502	2 m	SS	0.24
35503	3 m	SS	0.24



Transfer Modules Smart Roll

Material:

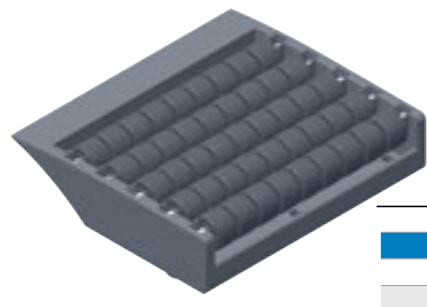
Modules and rollers: acetal resin
Pins, screws and nuts: Stainless steel



Smart Roll
with mini bearing
in stainless steel

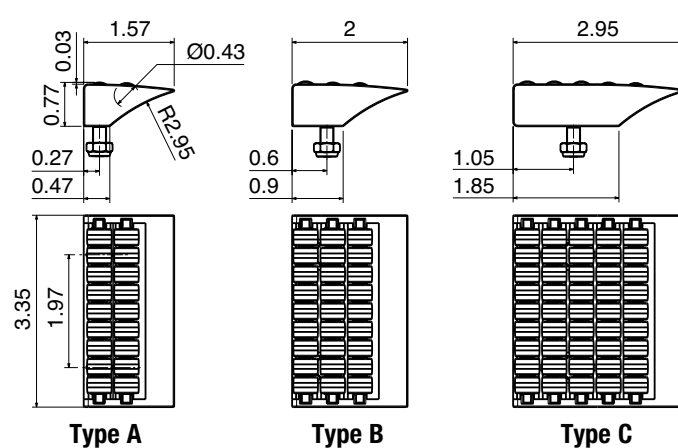
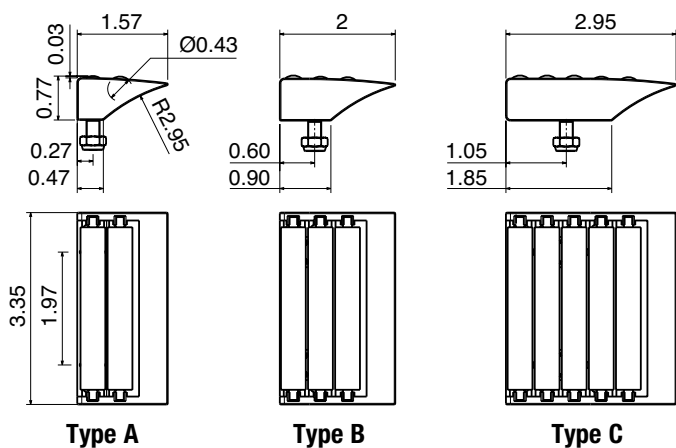
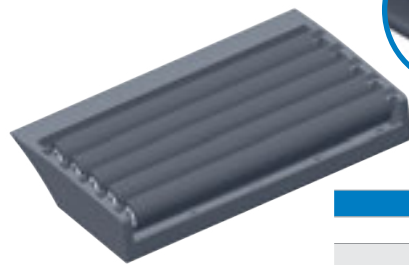
Transfer modules L=3,35

Part #	Type
36801	A
36802	B
36803	C



Transfer modules L=3,35

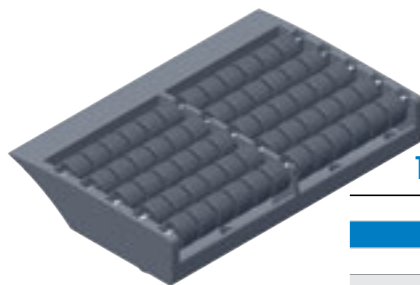
Part #	Type
37001	A
37002	B
37003	C

Smart Roll
with mini bearing
in stainless steel

Transfer modules L=4,53

Part #	Type
36901	A
36902	B
36903	C



Transfer modules L=4,53

Part #	Type
37101	A
37102	B
37103	C

