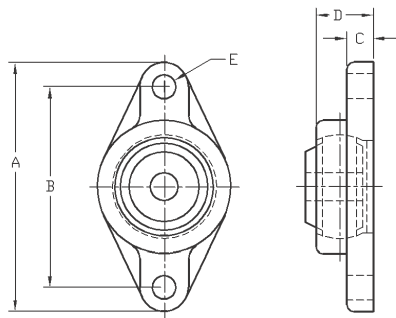


Pillow Blocks

Size	Shaft (inches)	Shaft (mm)	A	B	C	D	E1	E2	F	G
P204-12	3/4		1-5/16	5	3-3/4	1-1/2	1/2	7/16	1/2	2-17/32
P204		20	33.3	127	95	38	14	11	13	64
P205-14	7/8									
P205-15	15/16		1-7/16	5-1/2	4-1/8	1-1/2	1/2	7/16	1/2	2-25/32
P205		25	36.5	140	105	38	14	11	13	71
P205-16	1									
P206-17	1-1/16									
P206-18	1-1/8		1-11/16	6-1/2	4-3/4	1-7/8	23/32	1/2	19/32	3-5/16
P206		30	42.9	165	121	48	18	14	12	84
P206-19	1-3/16									
P206-20	1-1/4									
P207-20	1-1/4									
P207-21	1-5/16									
P207-22	1-3/8		1-7/8	6-9/16	5	1-7/8	23/32	1/2	5/8	3-21/32
P207		35	47.6	167	127	48	18	14	16	93
P207-23	1-7/16									
P208-24	1-1/2									
P208-25	1-9/16		1-15/16	7-1/4	5-13/32	2-1/8	23/32	1/2	21/32	3-27/32
P208		40	49.2	184	137	54	18	14	17	98

Two-Bolt Flange



Size	Shaft (inches)	Shaft (mm)	A	B	C	D	E
FL204-12	3/4		4-7/16	3-35/64	7/16	1	7/16
FL204		20	113	90	11	25.5	11
FL205-14	7/8						
FL205-15	15/16		5-1/8	3-57/64	1/2	1-1/16	7/16
FL205		25	130	99	13	27	11
FL205-16	1						
FL206-17	1-1/16						
FL206-18	1-1/8		5-13/16	4-39/64	1/2	1-7/32	7/16
FL206		30	148	117	12	31	11
FL206-19	1-3/16						
FL206-20	1-1/4						
FL207-20	1-1/4						
FL207-21	1-5/16						
FL207-22	1-3/8		6-11/32	5-1/8	9/16	1-11/32	33/64
FL207		35	161	130	14	34	13
FL207-23	1-7/16						
FL208-24	1-1/2						
FL208-25	1-9/16		6-7/8	5-43/64	9/16	1-13/32	1/2
FL208		40	175	144	14	36	14

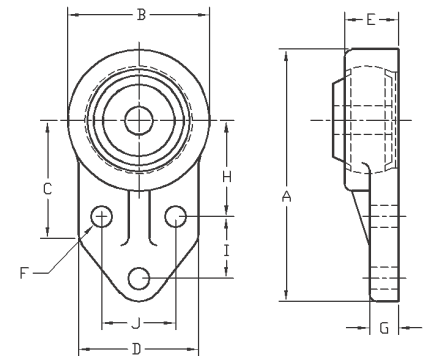


Configurations Available

- Plastic bearing inserts
- Stainless steel sleeves available for shaft protection or positive locking
- Call for price and availability

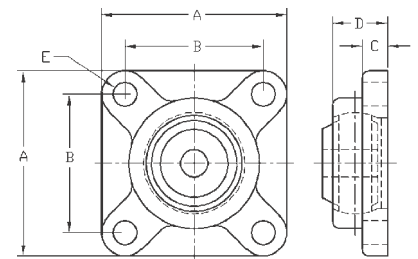
Three-Bolt Flange

Size	Shaft (inches)	Shaft (mm)	A	B	C	D	E	F	G	H	I
FLT204-12	3/4		4-11/32	2-7/16	2-1/16	2-1/16	15/16	3/8	1/2	1-21/32	1-1/16
FLT204		20	110	62	52	52	24	9.5	12	42	27
FLT205-14	7/8										
FLT205-15	15/16		4-9/16	2-11/16	2-1/16	2-7/32	1-1/32	3/8	1/2	1-49/64	1-1/16
FLT205		25	116	68	52	56	26	9.5	13	45	27
FLT205-16	1										
FLT206-17	1-1/16										
FLT206-18	1-1/8		5-1/8	3-1/16	2-5/32	2-9/16	1-5/32	3/8	1/2	1-31/32	1-9/64
FLT206		30	130	78	55	65	29	9.5	13	50	29
FLT206-19	1-3/16										
FLT206-20	1-1/4										
FLT207-20	1-1/4										
FLT207-21	1-5/16										
FLT207-22	1-3/8		5-21/32	3-17/32	2-7/16	2-3/4	1-5/16	3/8	19/32	2-11/64	1-17/64
FLT207		35	144	90	62	70	33	9.5	15	55	32
FLT207-23	1-7/16										
FLT208-24	1-1/2										
FLT208-25	1-9/16		6-15/32	3-15/16	2-27/32	3-1/16	1-11/32	7/16	5/8	2-23/64	1-39/64
FLT208		40	164	100	72	78	34	11.1	16	60	41



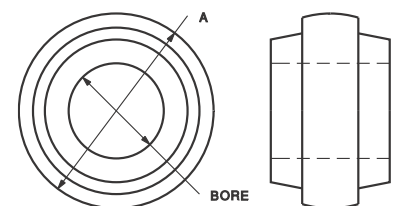
Four-Bolt Flange

Size	Shaft (inches)	Shaft (mm)	A	B	C	D	E
F204-12	3/4		3-3/8	2-33/64	15/32	1	7/16
F204		20	86	64	12	25.5	11
F205-14	7/8						
F205-15	15/16		3-3/4	2-3/4	9/16	1-1/16	7/16
F205		25	95	70	14	27	11
F205-16	1						
F206-17	1-1/16						
F206-18	1-1/8		4-1/4	3-17/64	9/16	1-7/32	7/16
F206		30	108	83	14	31	11
F206-19	1-3/16						
F206-20	1-1/4						
F207-20	1-1/4						
F207-21	1-5/16						
F207-22	1-3/8		4-19/32	3-5/8	3/4	1-11/32	33/64
F207		35	117	92	19	34	13
F207-23							
F208-24	1-1/2						
F208-25	1-9/16		5-1/8	4-1/64	5/8	1-13/32	1/2
F208		40	130	102	16	36	14



Cast Housing Inserts

UHMW	OF/UHMW	OF Nylon	Nylatron NSM	A in/mm	Series
120175	120375	120975	123375	1.575 / 40	-201
120176	120376	120976	123376	1.850 / 47	-204
120177	120377	120977	123377	2.047 / 52	-205
120178	120378	120978	123378	2.047 / 52	-205
120179	120379	120979	123379	2.441 / 62	-206
120180	120380	120980	123380	2.835 / 72	-207
120181	120381	120981	123381	2.835 / 72	-207
120182	120382	120982	123382	3.150 / 80	-208



Note: Please specify the desired bore size when ordering.

