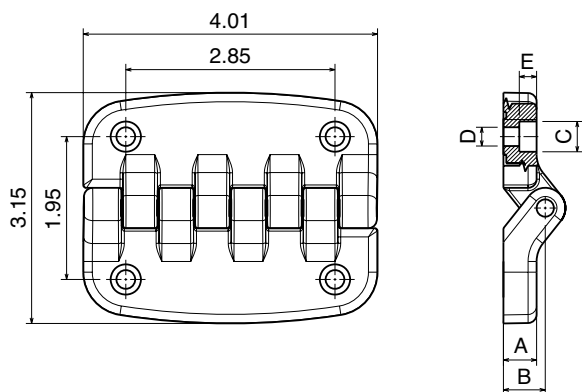


Hinges



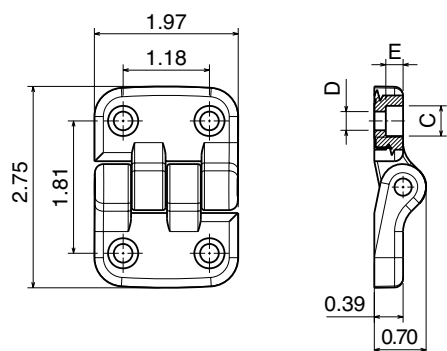
Hinge

Part #	A	B	C	D	E
37201	0.43	0.55	0.41	0.25	0.24
37202	0.43	0.55	0.53	0.33	0.31
37203	0.71	0.83	0.53	0.33	0.31



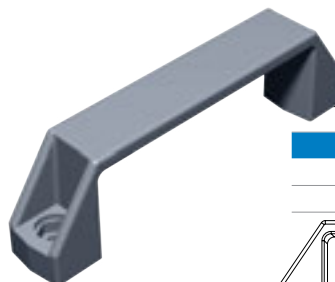
Hinge

Part #	C	D	E
37301	0.41	0.25	0.24
37302	0.53	0.33	0.16



Material:

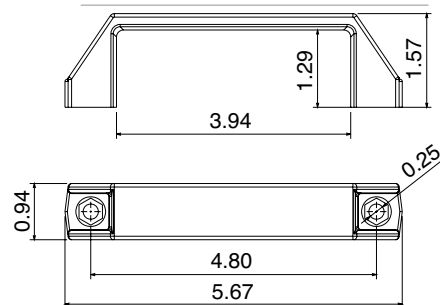
Hinges: Polyamide
Pins: Stainless steel



Soft touch handle

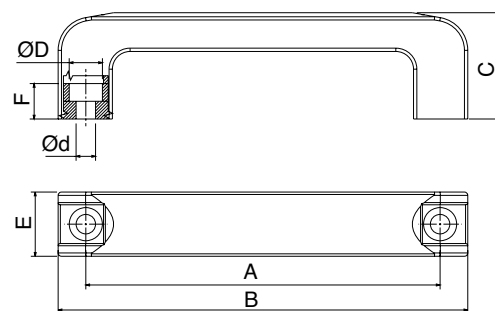
Part #

38501



Handle

Part #	A	B	C	Ød	ØD	E	F
38601	4.72	5.51	1.57	0.35	0.51	0.96	0.63
38602	6.30	7.28	1.89	0.35	0.59	1.14	0.63



Stainless Steel handle

Part #

A

39701	3.74
39702	3.94
39703	4.33

Stainless steel
AISI 304

