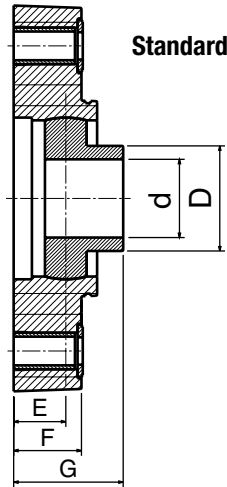
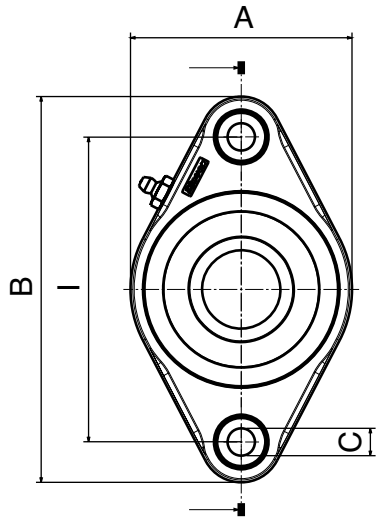
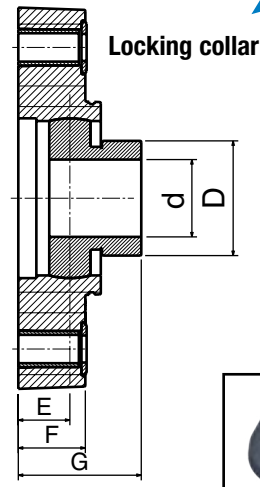


# UCFL Bearing Support



Standard insert



Locking collar



Chrome steel	Part #	Series	d	l	A	B	C	D	E	F	G	Article-
	82210Q	UCFL204	3/4	3.54	2.44	4.57	0.43	1.14	0.63	0.79	1.34	89004
82211Q	UCFL205	1	3.90	2.79	5.12	0.43	1.34	0.66	0.88	1.43	89001	
82212Q	UCFL206	1.1/4	4.61	3.35	5.83	0.43	1.59	0.79	1.02	1.65	89002	
82213Q	UCFL207	1.7/16	5.12	3.66	6.38	0.43	1.89	0.77	1.02	1.69	89003	
82204Q	UCFL208/117	1.1/2	4.81	3.66	5.83	0.43	2.09	0.75	1.02	1.73	89003	

Standard insert

Stainless steel	Part #	Series	d	l	A	B	C	D	E	F	G	Article-
	82210SSQ	UCFL204	3/4	3.54	2.44	4.57	0.43	1.14	0.63	0.79	1.34	89004
82211SSQ	UCFL205	1	3.90	2.79	5.12	0.43	1.34	0.66	0.88	1.43	89001	
82212SSQ	UCFL206	1.1/4	4.61	3.35	5.83	0.43	1.59	0.79	1.02	1.65	89002	
82213SSQ	UCFL207	1.7/16	5.12	3.66	6.38	0.43	1.89	0.77	1.02	1.69	89003	
82204SSQ	UCFL208/117	1.1/2	4.81	3.66	5.83	0.43	2.09	0.75	1.02	1.73	89003	

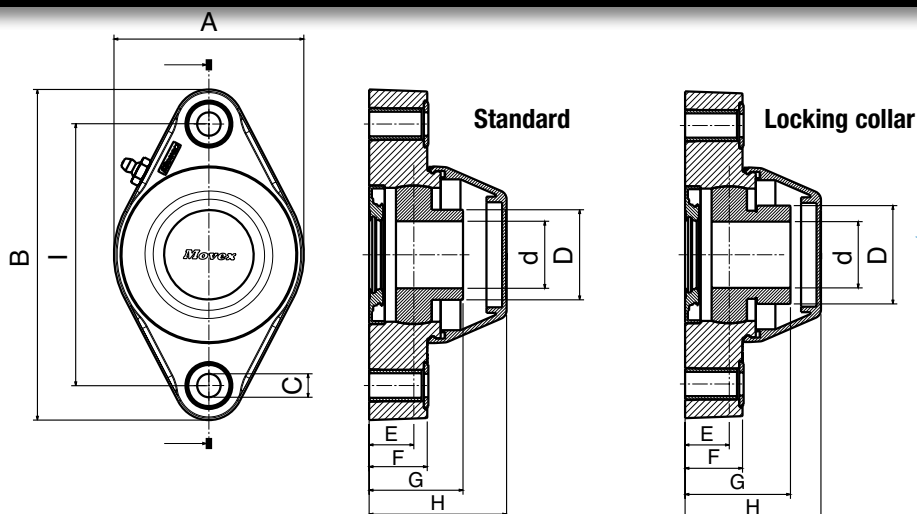
Insert with locking collar

Chrome steel	Part #	Series	d	l	A	B	C	D	E	F	G	Article-
	82310Q	UCFL204	3/4	3.54	2.44	4.57	0.43	1.31	0.63	0.79	1.57	89004
82311Q	UCFL205	1	3.90	2.79	5.12	0.43	1.50	0.66	0.88	1.58	89001	
82312Q	UCFL206	1.1/4	4.61	3.35	5.83	0.43	1.75	0.79	1.02	1.88	89002	
82313Q	UCFL207	1.7/16	5.12	3.66	6.38	0.43	2.19	0.77	1.02	1.96	89003	
82304Q	UCFL208/117	1.1/2	4.81	3.66	5.83	0.43	2.37	0.75	1.02	2.11	89003	

## COMPONENTS

- Housing in reinforced polyamide, with higher load capacity and good resistance to corrosive chemicals such as water, oils, petrol and alcoholic beverages. All our bearings can be used at temperatures between 0°C and +80°C.
- Ball bearings are made in chrome steel. They are also available, upon request, in stainless steel. Max misalignment between shaft and housing: 2.5°.
- Grease nipple are made in nickel plated steel, but they can also be made in stainless steel on the stainless steel bearing.
- Spacers from nickel plated brass to reinforce fixing holes.
- Washer stainless steel.

# UCFL Watertight Support



Standard insert, sealed, open and close version

Chrome steel	Part	Art-close	Part	Art-open	Series	d	l	A	B	C	D	E	F	G	H
	824	82410Q	825	82510Q	UCFL204	3/4	3.54	2.44	4.57	0.43	1.14	0.63	0.79	1.34	2.03
824	82411Q	825	82511Q	UCFL205	1	3.90	2.79	5.12	0.43	1.34	0.66	0.88	1.43	2.05	
824	82412Q	825	82512Q	UCFL206	1.1/4	4.61	3.35	5.83	0.43	1.59	0.79	1.02	1.65	2.42	
824	82413Q	825	82513Q	UCFL207	1.7/16	5.12	3.66	6.38	0.43	1.89	0.77	1.02	1.69	2.62	
824	82404Q	825	82504Q	UCFL208/117	1.1/2	4.81	3.66	5.83	0.43	2.09	0.75	1.02	1.73	2.62	

Standard insert, sealed, open and close version

Stainless steel	Part	Art-close	Part	Art-open	Series	d	l	A	B	C	D	E	F	G	H
	824	82410SSQ	825	82510SSQ	UCFL204	3/4	3.54	2.44	4.57	0.43	1.14	0.63	0.79	1.34	2.03
824	82411SSQ	825	82511SSQ	UCFL205	1	3.90	2.79	5.12	0.43	1.34	0.66	0.88	1.43	2.05	
824	82412SSQ	825	82512SSQ	UCFL206	1.1/4	4.61	3.35	5.83	0.43	1.59	0.79	1.02	1.65	2.42	
824	82413SSQ	825	82513SSQ	UCFL207	1.7/16	5.12	3.66	6.38	0.43	1.89	0.77	1.02	1.69	2.62	
824	82404SSQ	825	82504SSQ	UCFL208/117	1.1/2	4.81	3.66	5.83	0.43	2.09	0.75	1.02	1.73	2.62	

"Long life" insert, sealed, open and close version

Chrome steel	Part	Art-close	Part	Art-open	Series	d	l	A	B	C	D	E	F	G	H
	824	82410LQ	825	82510LQ	UCFL204	3/4	3.54	2.44	4.57	0.43	1.14	0.63	0.79	1.34	2.03
824	82411LQ	825	82511LQ	UCFL205	1	3.90	2.79	5.12	0.43	1.34	0.66	0.88	1.43	2.05	
824	82412LQ	825	82512LQ	UCFL206	1.1/4	4.61	3.35	5.83	0.43	1.59	0.79	1.02	1.65	2.42	
824	82413LQ	825	82513LQ	UCFL207	1.7/16	5.12	3.66	6.38	0.43	1.89	0.77	1.02	1.69	2.62	
824	82404LQ	825	82504LQ	UCFL208/117	1.1/2	4.81	3.66	5.83	0.43	2.09	0.75	1.02	1.73	2.62	

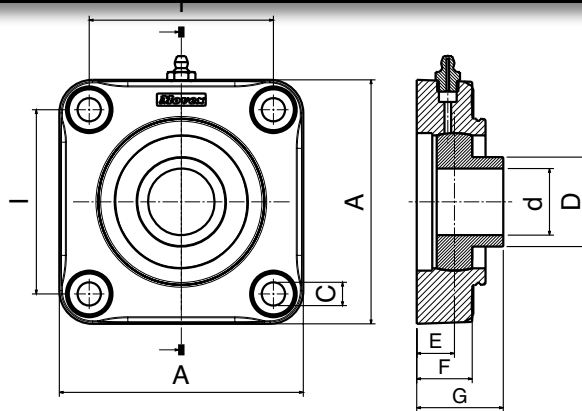
Insert with locking collar, sealed, open and close version

Chrome steel	Part	Art-close	Part	Art-open	Series	d	l	A	B	C	D	E	F	G	H
	826	82610Q	827	82710Q	UCFL204	3/4	3.54	2.44	4.57	0.43	1.31	0.63	0.79	1.57	2.03
826	82611Q	827	82711Q	UCFL205	1	3.90	2.79	5.12	0.43	1.50	0.66	0.88	1.58	2.05	
826	82612Q	827	82712Q	UCFL206	1.1/4	4.61	3.35	5.83	0.43	1.75	0.79	1.02	1.88	2.42	
826	82613Q	827	82713Q	UCFL207	1.7/16	5.12	3.66	6.38	0.43	2.19	0.77	1.02	1.96	2.62	
826	82604Q	827	82704Q	UCFL208/117	1.1/2	4.81	3.66	5.83	0.43	2.37	0.75	1.02	2.11	2.62	

## COMPONENTS

- Housing in reinforced polyamide, with higher load capacity and good resistance to corrosive chemicals such as water, oils, petrol and alcoholic beverages. All our bearings can be used at temperatures between 0°C and +80°C.
- Ball bearings are made in chrome steel. They are also available, upon request, in stainless steel. Max misalignment between shaft and housing: 2.5°.
- Grease nipple are made in nickel plated stell, but they can also be made in stainless steel on the stainless steel bearing.
- Spacers from nickel plated brass to reinforce fixing holes.
- Washer stainless steel.
- Clip-on safety cap in Polyethylene.
- Rotary shaft seal ring in NBR rubber.
- O-ring in NBR rubber.

# UCF Bearing Support



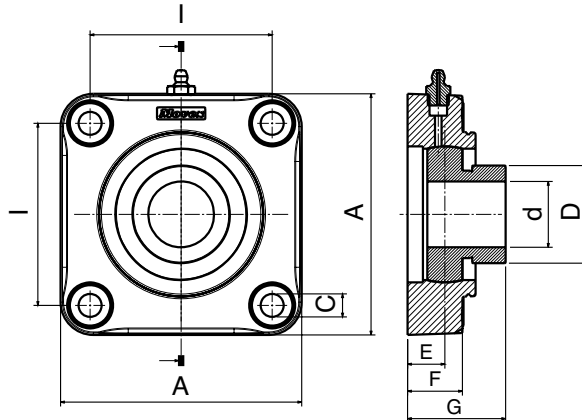
Standard insert



Chrome steel	Part #	Series	d	I	A	C	D	E	F	G	Article-Nr.
	82801Q	UCF205	1	2.76	3.86	0.43	1.34	0.63	0.87	1.40	89001
	82802Q	UCF206	1.1/4	3.27	4.33	0.43	1.59	0.667	0.98	1.53	89002
	82813Q	UCF207	1.7/16	3.62	4.65	0.43	1.89	0.79	0.98	1.71	89003
	82804Q	UCF208/83	1.1/2	3.27	4.33	0.43	2.09	0.75	0.98	1.75	89003

Standard insert

Stainless steel	Part #.	Series	d	I	A	C	D	E	F	G	Article-Nr.
	82801SSQ	UCF205	1	2.76	3.86	0.43	1.34	0.63	0.87	1.40	89001
	82802SSQ	UCF206	1.1/4	3.27	4.33	0.43	1.59	0.667	0.98	1.53	89002
	82813SSQ	UCF207	1.7/16	3.62	4.65	0.43	1.89	0.79	0.98	1.71	89003
	82804SSQ	UCF208/83	1.1/2	3.27	4.33	0.43	2.09	0.75	0.98	1.75	89003



Insert with locking collar

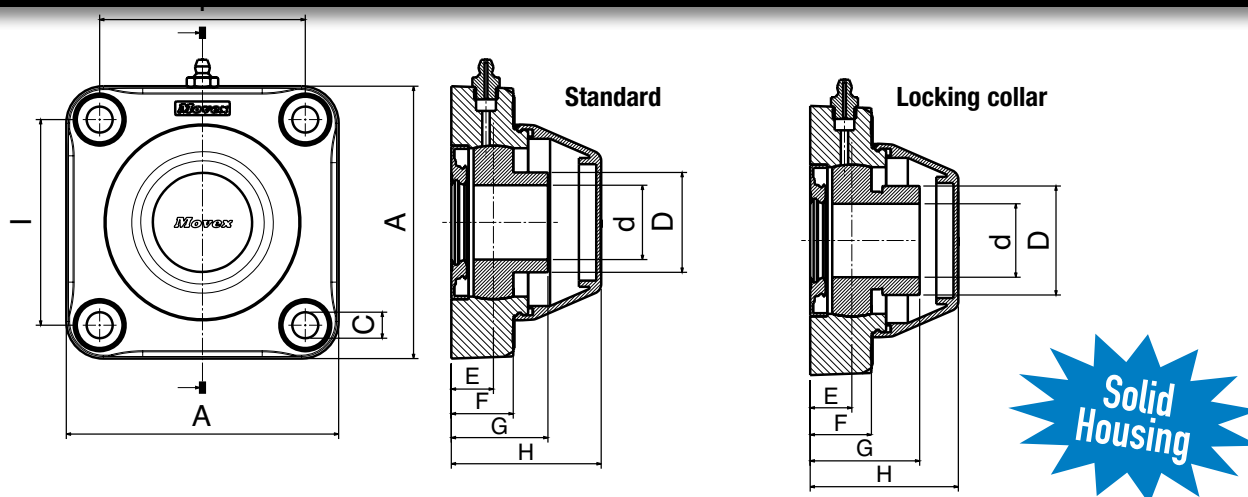


Chrome steel	Part #	Series0	d	I	A	C	D	E	F	G	Article-Nr.
	82901Q	UCF205	1	2.76	3.86	0.43	1.50	0.63	0.87	1.55	89001
	82902Q	UCF206	1.1/4	3.27	4.33	0.43	1.75	0.667	0.98	1.76	89002
	82913Q	UCF207	1.7/16	3.62	4.65	0.43	2.19	0.79	0.98	1.98	89003
	82904Q	UCF208/83	1.1/2	3.27	4.33	0.43	2.37	0.75	0.98	2.13	89003

## COMPONENTS

- Housing in reinforced polyamide, with higher load capacity and good resistance to corrosive chemicals such as water, oils, petrol and alcoholic beverages. All our bearings can be used at temperatures between 0°C and +80°C.
- Ball bearings are made in chrome steel. They are also available, upon request, in stainless steel. Max misalignment between shaft and housing: 2.5°.
- Grease nipple are made in nickel plated steel, but they can also be made in stainless steel on the stainless steel bearing.
- Spacers from nickel plated brass to reinforce fixing holes.
- Washer stainless steel.

# UCF Watertight Support



Standard insert, sealed, open and close version

Chrome steel	Part	Art-close	Part	Art-open	Series	d	l	A	C	D	E	F	G	H
	830	83001Q	831	83101Q	UCF205	1	2.76	3.86	0.43	1.34	0.63	0.87	1.40	2.03
830	83002Q	831	83102Q	UCF206	1.1/4	3.27	4.33	0.43	1.59	0.667	0.98	1.53	2.38	
830	83013Q	831	83113Q	UCF207	1.7/16	3.62	4.65	0.43	1.89	0.79	0.98	1.71	2.58	
830	83004Q	831	83104Q	UCF208/83	1.1/2	3.27	4.33	0.43	2.09	0.75	0.98	1.75	2.58	

Standard insert, sealed, open and close version

Stainless steel	Part	Art-close	Part	Art-open	Series	d	l	A	C	D	E	F	G	H
	830	83001SSQ	831	83101SSQ	UCF205	1	2.76	3.86	0.43	1.34	0.63	0.87	1.40	2.03
830	83002SSQ	831	83102SSQ	UCF206	1.1/4	3.27	4.33	0.43	1.59	0.667	0.98	1.53	2.38	
830	83013SSQ	831	83113SSQ	UCF207	1.7/16	3.62	4.65	0.43	1.89	0.79	0.98	1.71	2.58	
830	83004SSQ	831	83104SSQ	UCF208/83	1.1/2	3.27	4.33	0.43	2.09	0.75	0.98	1.75	2.58	

"Long life" insert, sealed, open and close version

Chrome steel	Part	Art-close	Part	Art-open	Series	d	l	A	C	D	E	F	G	H
	830	83001LQ	831	83101LQ	UCF205	1	2.76	3.86	0.43	1.34	0.63	0.87	1.40	2.03
830	83002LQ	831	83102LQ	UCF206	1.1/4	3.27	4.33	0.43	1.59	0.667	0.98	1.53	2.38	
830	83013LQ	831	83113LQ	UCF207	1.7/16	3.62	4.65	0.43	1.89	0.79	0.98	1.71	2.58	
830	83004LQ	831	83104LQ	UCF208/83	1.1/2	3.27	4.33	0.43	2.09	0.75	0.98	1.75	2.58	

Insert with locking collar, sealed, open and close version

Chrome steel	Part	Art-close	Part	Art-open	Series	d	l	A	C	D	E	F	G	H
	832	83201Q	833	83301Q	UCF205	1	2.76	3.86	0.43	1.50	0.63	0.87	1.55	2.03
832	83202Q	833	83302Q	UCF206	1.1/4	3.27	4.33	0.43	1.75	0.667	0.98	1.76	2.38	
832	83213Q	833	83313Q	UCF207	1.7/16	3.62	4.65	0.43	2.19	0.79	0.98	1.98	2.58	
832	83204Q	833	83304Q	UCF208/83	1.1/2	3.27	4.33	0.43	2.37	0.75	0.98	2.13	2.58	

## COMPONENTS

- Housing in reinforced polyamide, with higher load capacity and good resistance to corrosive chemicals such as water, oils, petrol and alcoholic beverages. All our bearings can be used at temperatures between 0°C and +80°C.
- Ball bearings are made in chrome steel. They are also available, upon request, in stainless steel. Max misalignment between shaft and housing: 2.5°.
- Grease nipple are made in nickel plated stell, but they can also be made in stainless steel on the stainless steel bearing.
- Spacers from nickel plated brass to reinforce fixing holes.
- Washer stainless steel.
- Clip-on safety cap in Polyethylene.
- Rotary shaft seal ring in NBR rubber.
- O-ring in NBR rubber.